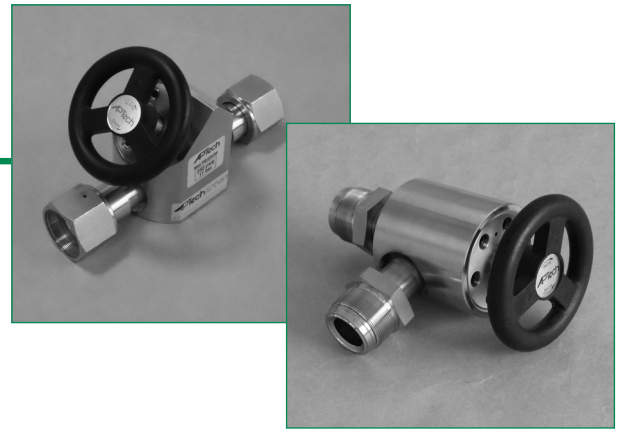


# SERIES AZ 9600

## 1 INCH DIAPHRAGM VALVE

Springless – manual valve



- 316L SS construction
- Operating pressure vacuum to 250 psig (17 bar)
- Machined from bar stock
- Flow capacity 10 C<sub>v</sub>
- Surface finish 10 μin. Ra
- Manual, multi-turn wheel
- Installation and operating instructions available at [www.aptech-online.com](http://www.aptech-online.com) in the Tech Briefs section

### Manual valves

PSIG / BAR  
250 / 17

AZ 9600 – Round wheel, multi-turn	●
--------------------------------------	---

### Operating Parameters — all valves

Inlet pressure	vacuum to 250 psig (17 bar)
Outlet pressure	vacuum to inlet pressure
Proof pressure	150% of maximum rating
Burst pressure	300% of maximum rating

### Other Parameters — all valves

Inlet /outlet connectors	3/4 and 1 inch face seal or tube weld
Flow coefficient (C <sub>v</sub> )	10
Operating temperature	-40° to +140°F (-40° to +60°C)
Surface finish	10 μin. Ra avg (0.25 μm)
Inboard leakage	2 x 10 <sup>-10</sup> sccs
Outboard leakage	2 x 10 <sup>-9</sup> sccs He
Leakage across seat	4 x 10 <sup>-8</sup> sccs He

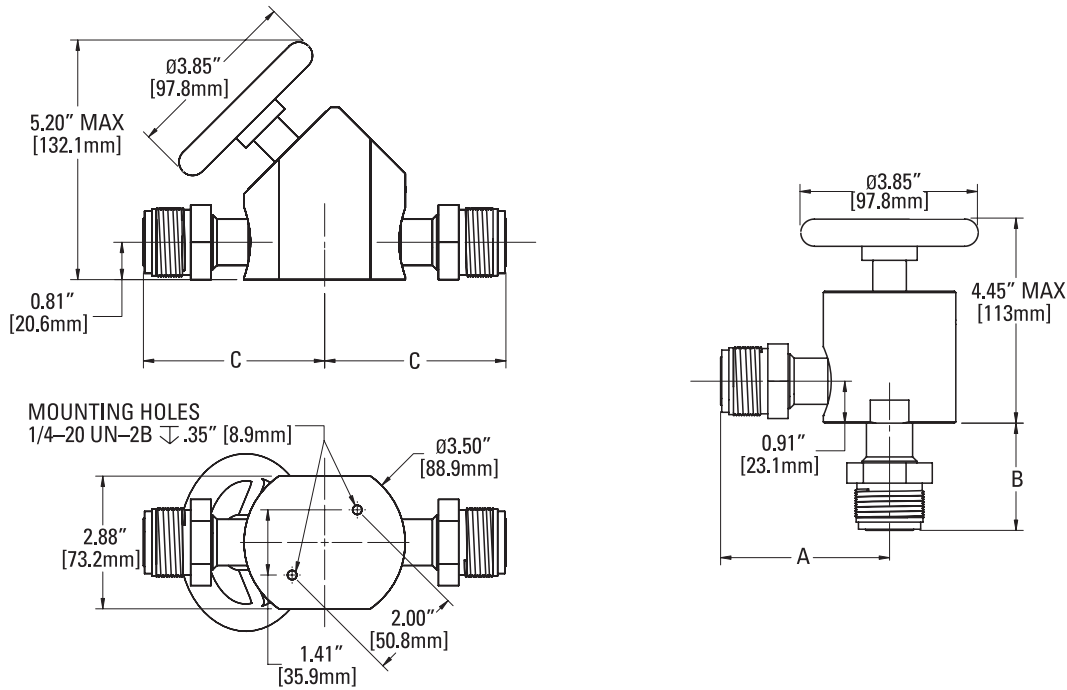
### Materials — wetted parts, all valves

Body	SS 316L
Finish	electropolished and passivated
Diaphragm	Ni-Cr-Mo alloy / UNS N06022
Seat	PCTFE (Polyimide optional)

All specifications subject to change without notice.

# ULTRACLEAN TECHNOLOGY BACKED BY SERVICE AND SUPPORT

DIMENSIONAL INFORMATION



CONNECTION	A		B		C	
	inch [±.03]	mm	inch [±.03]	mm	inch [±.03]	mm
FV16, MV16	3.62	91.9	2.28	57.9	3.93	99.9
TW16	4.36	110.7	3.02	76.8	4.67	118.7
FV12, MV12	3.34	84.8	-	-	3.67	93.2
TW12	4.39	111.5	-	-	4.72	119.8

**CAUTION:** Product selection is the sole responsibility of the user, regardless of any recommendations or suggestions made by the factory. The user shall make selections based upon their own analysis and testing with regard to function, material compatibility and product ratings. Proper installation, operation and maintenance are also required to assure safe, trouble free performance.

ORDERING INFORMATION

Sample Order Number		AZ 9600S2PW TW12 TW12 0B VS	
AZ 9600	Series	AZ 9600 = Manual	
S	Material	S = Stainless steel (SS)	
2PW	Ports	2PW = 2 port 2PWB = 2 port, bottom inlet* *2PWB bottom port only available 1 inch	
TW12 TW12	Connections Inlet / Outlet (main / branch)	FV12 = 3/4 inch face seal female MV12 = 3/4 inch face seal male TW12 = 3/4 inch tube stub weld FV16 = 1 inch face seal female MV16 = 1 inch face seal male TW16 = 1 inch tube stub weld	
0B	Purge Port Inlet / Outlet (main / branch)	M = Inlet purge port** B = Outlet purge port 0 = No purge port **Not available 2PWB porting	
VS	Options	VS = Polyimide Seat	

AP Tech has product options and variations which are not documented in data sheets. If you have a model number that is not defined by the ordering information, please consult the factory or your local representative.